

LOC AI	DIST -	REVISIONS					
		P	LTR	DESCRIPTION	DATE	DWN	APVD
			A	NEW DRAWING	27APR2006	GP	GM
			B	ECR-11-006042	23MAR2011	PT	GM

REFER TO CUSTOMER DRAWING
1452931

Siehe Kundenzeichnung
1452931


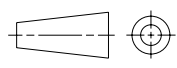
2006

RELEASED FOR PUBLICATION

THIS DRAWING IS UNPUBLISHED.

TYCO ELECTRONICS CORPORATION ALL RIGHTS RESERVED.

© COPYRIGHT 2006

DIMENSIONS: mm		DWN G.PUCKEL	27APR2006	MATERIAL	-	FINISH	-
TOLERANCES UNLESS OTHERWISE SPECIFIED:		CHK K.ROTH	27APR2006	 TE Connectivity			
		APVD G.MUMPER	27APR2006				
0 PLC ±		PRODUCT SPEC		NAME 76POS. CONNECTOR ASSY			
1 PLC ±		-					
2 PLC ±		APPLICATION SPEC		SIZE CAGE CODE DRAWING NO RESTRICTED TO			
3 PLC ±		-					
4 PLC ±		WEIGHT		SCALE SHEET OF REV			
ANGLES ±°		-					
		CUSTOMER DRAWING					